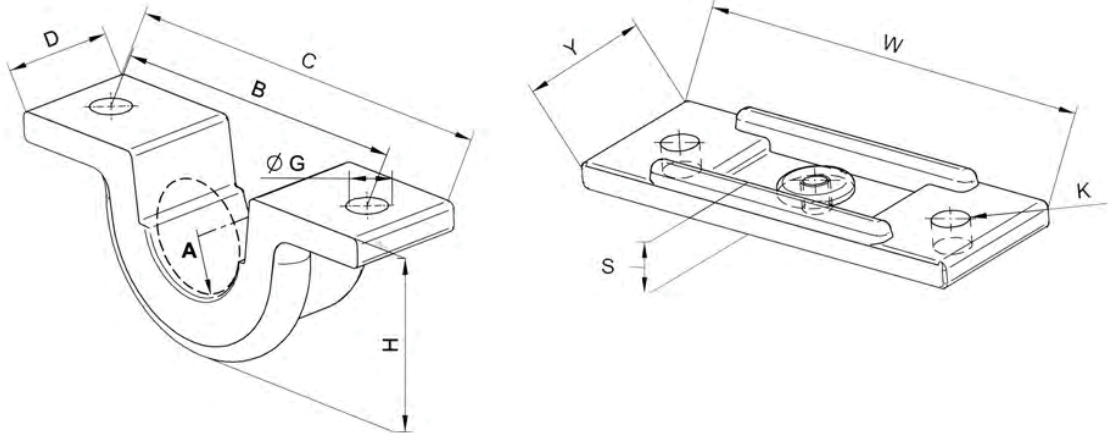


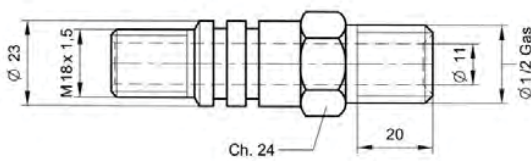
UB Series: Fittings

BRACKETS:

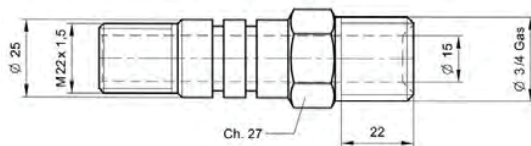


Part number	UB model	Dimensions										Weight (kg)
		ØA	B	C	D	ØG	H	W	Y	ØK	S	
UBS40	UB8/10	40.5	112	140	40	13	62	140	40	13	8	1
UBS45	UB12	45.5	112	140	40	13	62	140	40	13	8	1.2
UBS50	UB14/16/18	50.5	115	185	60	13	82	150	56	13	17	2.5
UBS55	UB21	56	115	185	60	13	86	150	56	13	17	2.6
UBS70	UB24/26	71	148	210	60	13	100	170	60	13	17	3.6

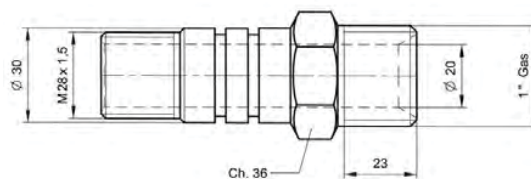
INLET PINS:



Part number: BU98
Required with: UB 8/10/12



Part number: BU99
Required with: UB14/16/18/21



Part number: BU100
Required with: UB24/26

All dimensions are given in mm unless otherwise stated. Technical Specifications are subject to change without notice.