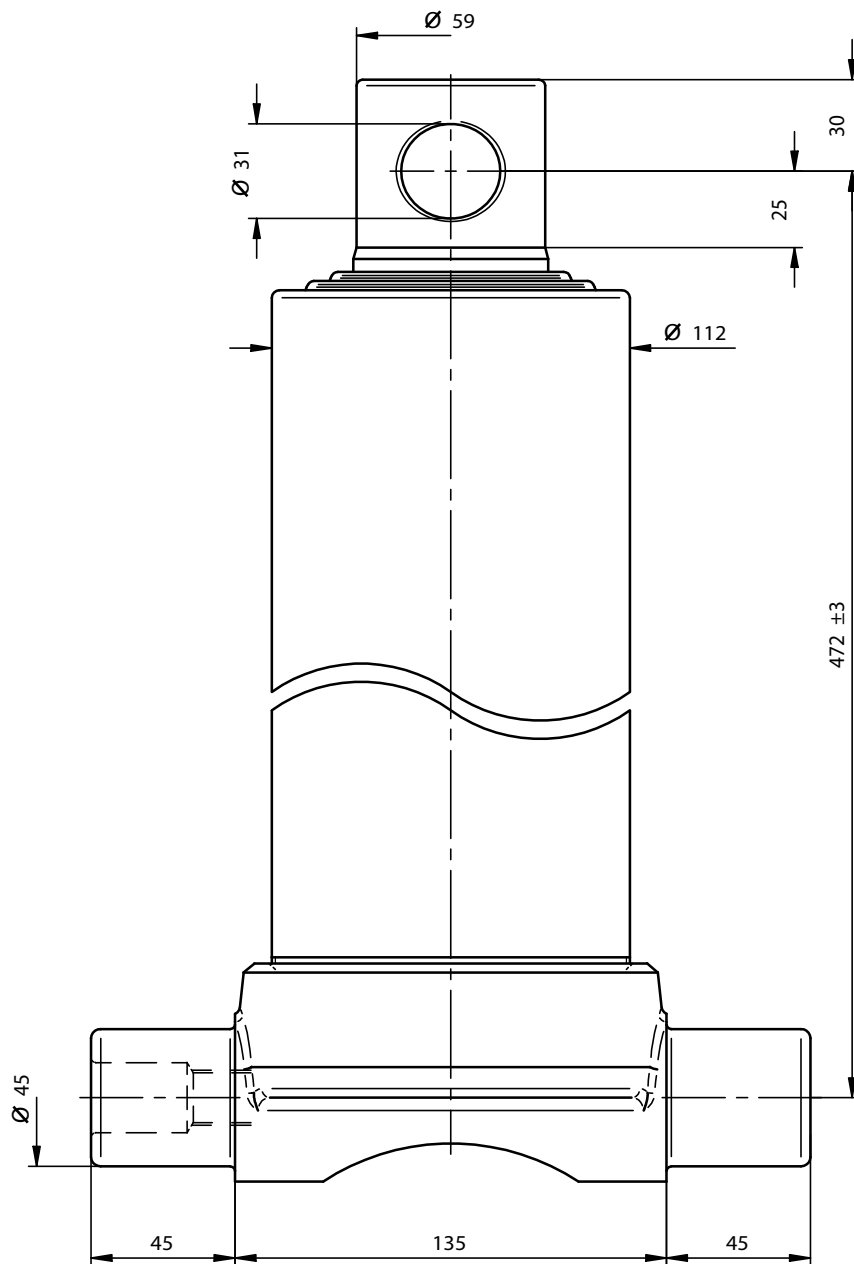


UB Series : Underbody Cylinder



UB Series: Underbody Cylinder

Max stroke:	1043 mm
Max pressure:	180 bar
Oil volume:	5.0 litres
Weight:	34 kg
Tube dimensions:	61 - 76 - 91
Tube surface treatment:	Tenifer
Inlet pin required:	BU98 (1/2")
Tipping capacity:	7.5 Ton. @180 Bar