

CYLINDER ASSY PART No : UB110M401190102

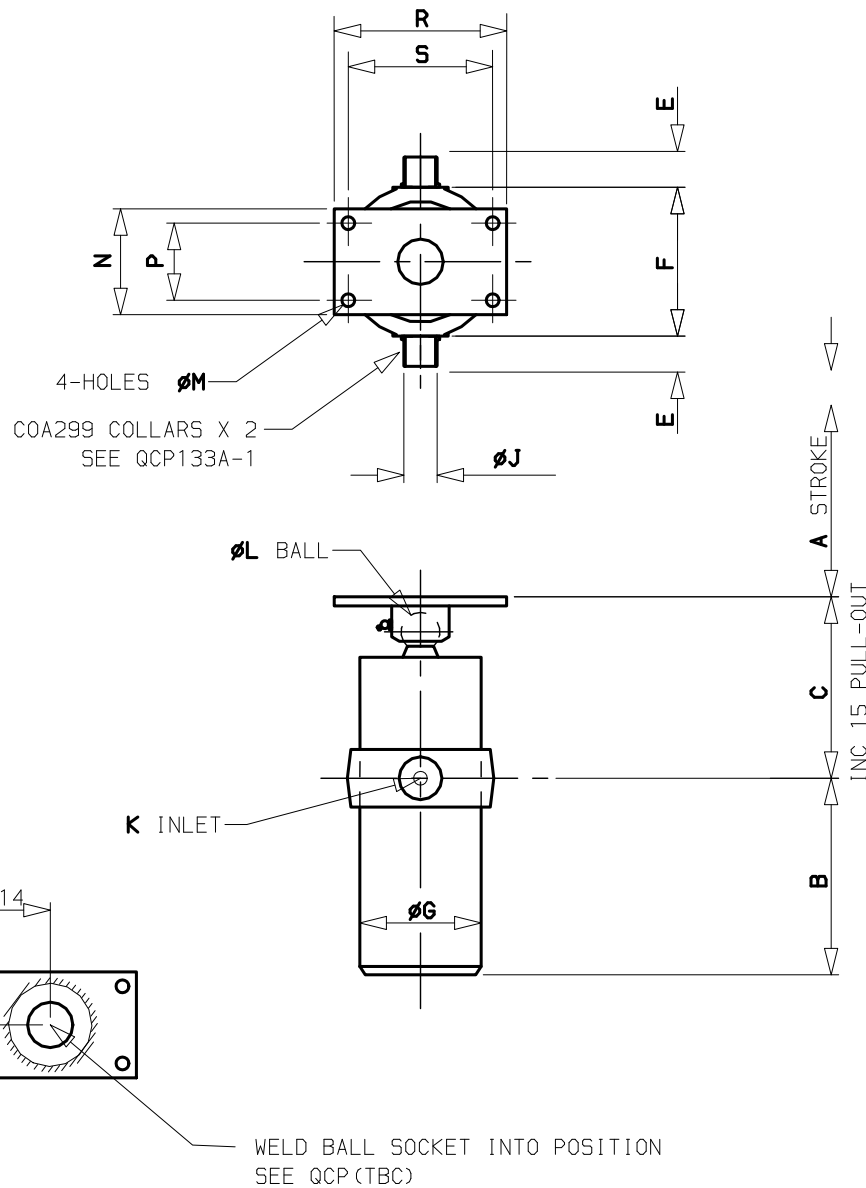
TUBE	BORE	O/DIA	LENGTH	STROKE	THRUST @ 175 bar
OUTER COVER					
BASE RAM					
1ST EXT		107		297.5	16.1 t
2ND EXT		91		297.5	11.7 t
3RD EXT		76		297.5	8.1 t
4TH EXT		61		297.5	5.2 t
5TH EXT					
6TH EXT					
7TH EXT					
8TH EXT					

TOTAL STROKE	1190
WORKING VOLUME	7.0 litre
TOTAL VOLUME	8.5 litre
OIL TANK CAPACITY	. litre
OPERATING PRESSURE	175 bar
MAXIMUM PRESSURE	. bar
CYLINDER WEIGHT DRY	34.5 kg

GENERAL DIMENSIONS

A	1190	M	17	Z	
B	315	N	140	X1	
C	157	P	102	X2	
		R	228	X3	
E	40	S	191	X4	
F	150	T		X5	
G	124	U		X6	
		V		X7	
J	44.5 NOM	W		X8	
K	M18x1.5	X		X9	
L	55	Y		X10	

DIMENSIONS IN MILLIMETRES UNLESS STATED OTHERWISE

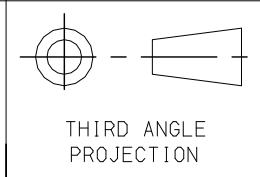


FAMILY: OUTLINE

AMENDMENTS	REV	MOD No
	ER	11374

NOTE
ALL ALTERATIONS TO THIS SHEET SHOULD BE CARRIED OUT ON THE CAD SYSTEM

This drawing is the property and copyright of EDBRO LTD and must not be re-issued, copied or reproduced without their consent.



TITLE	CYLINDER OUTLINE
DRAWN	K DRIVER
DATE	11-09-08
DRG.No	4A78437

EDBRO LTD
BOLTON
LANCASHIRE
ENGLAND