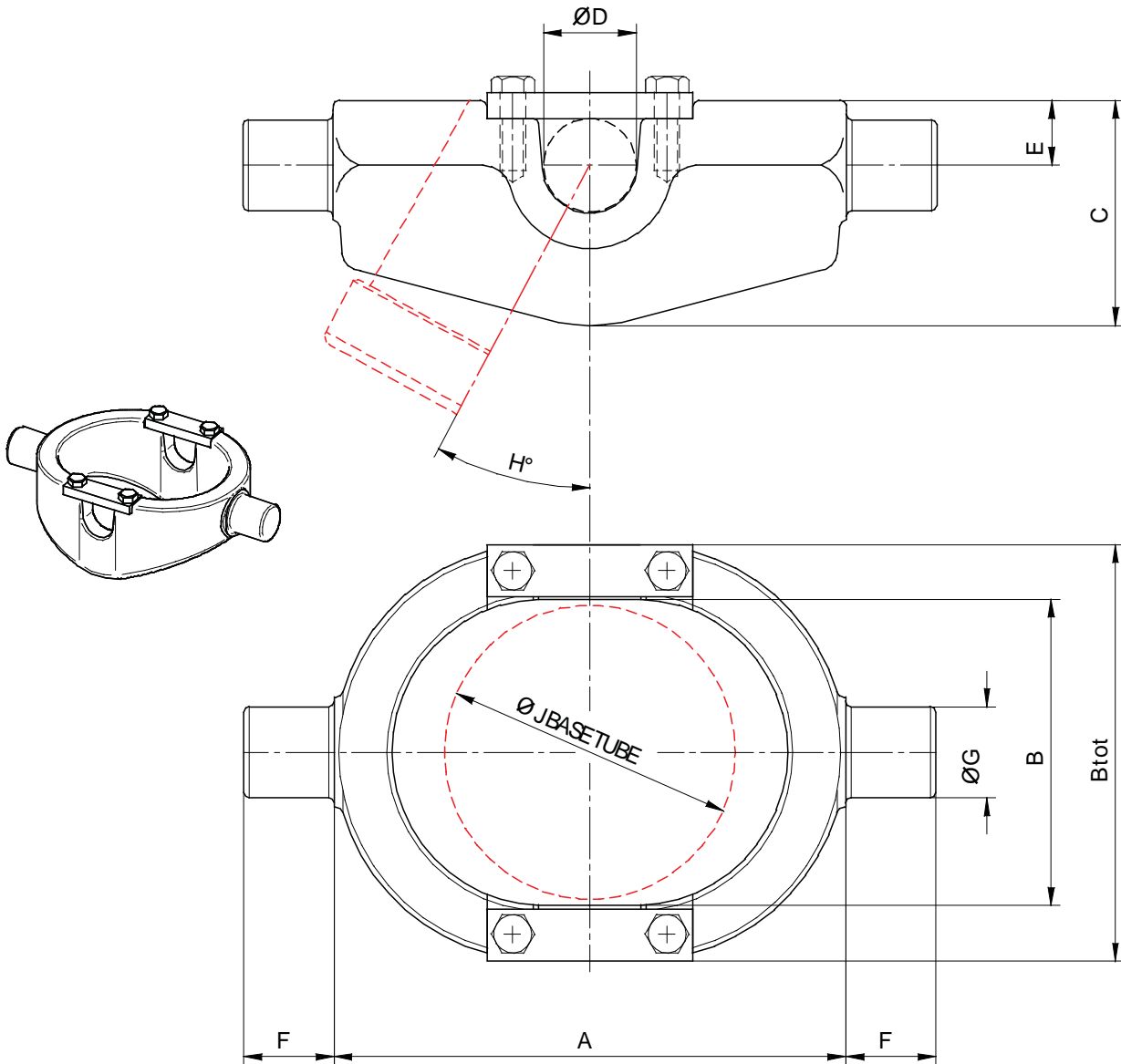


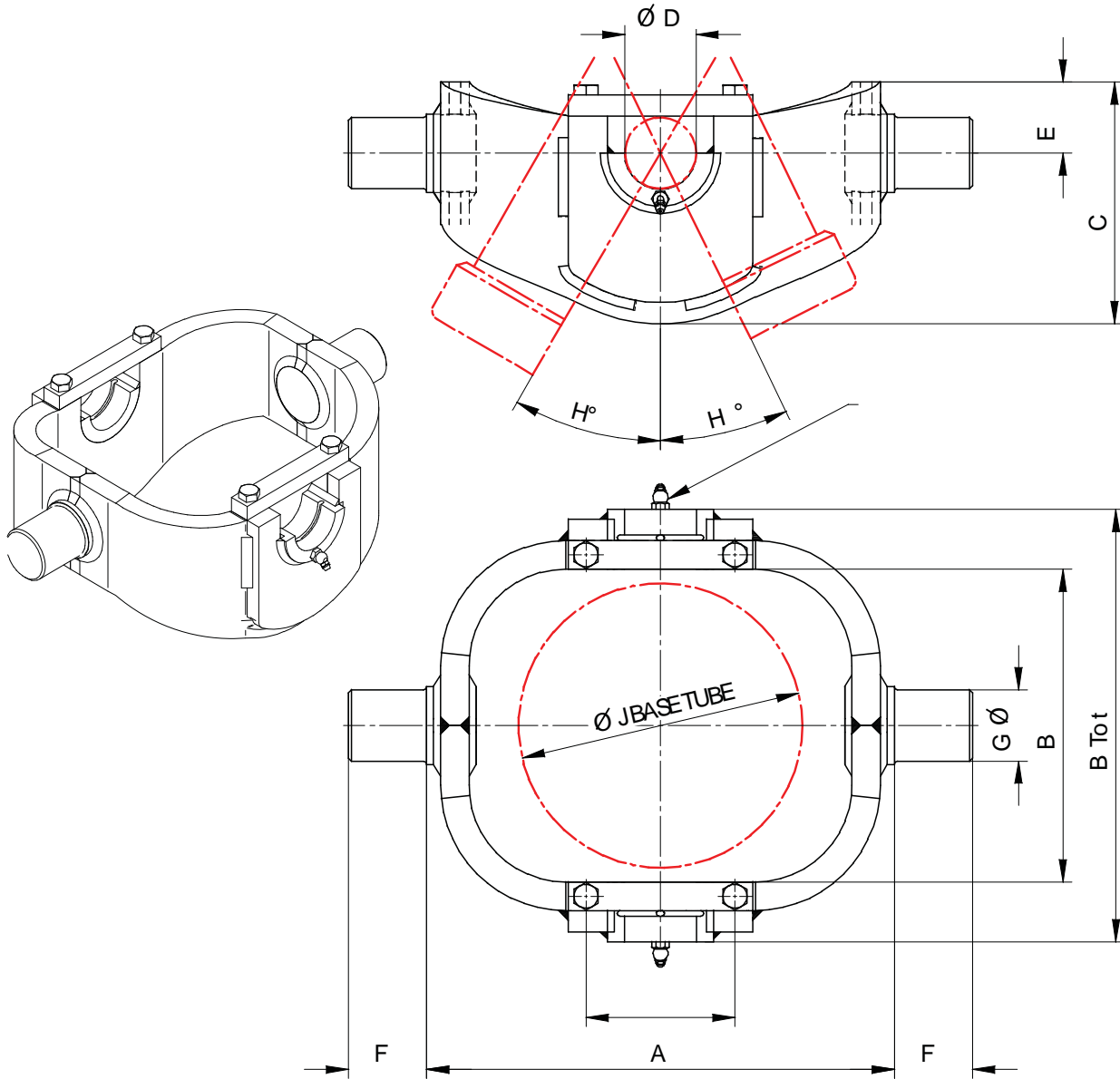
UB Series: UBC Cradles for Cylinders



Type	Dimensions (mm)										Capacity (ton)	Weight (kg)
	A	B	B tot.	C	$\varnothing D$	E	F	$\varnothing G$	H	$\varnothing J$		
UBC1	200	120	160	77	35	25	35	35	32°	80/95	7	5
UBC2	230	135	195	97	35	28	40	40	37°	112	10	9
UBC3	230	155	215	107	40	31	40	40	30°	124	16	10.5
UBC4	280	185	240	125	45	40	45	50	30°	150	20	15

All dimensions are given in mm unless otherwise stated. Technical Specifications are subject to change without notice.

UB Series: UBC Cradles for Cylinders



Type	Dimensions (mm)											Capacity (ton)	Weight (kg)
	A	B	B tot.	C	$\varnothing D$	E	F	$\varnothing G$	H°	H_g°	$\varnothing J$		
UBC5	330	215	290	165	50	45	55	50	30°	26°	170	22	22
UBC6	390	235	310	205	50	65	55	50	30°	23°	190	23	29
UBC7	400	255	350	205	50	65	55	50	30°	25°	215	25	32
UBC8	460	277	370	235	55	68	55	55	34°	27°	240	25	52
UBC8A	540	277	380	300	70	85	55	70	40°	35°	240	35	74
UBC9	540	312	395	300	70	85	55	70	36°	30°	270	38	77
UBC10	540	342	425	300	70	85	55	70	32°	26°	300	38	77

All dimensions are given in mm unless otherwise stated. Technical Specifications are subject to change without notice.