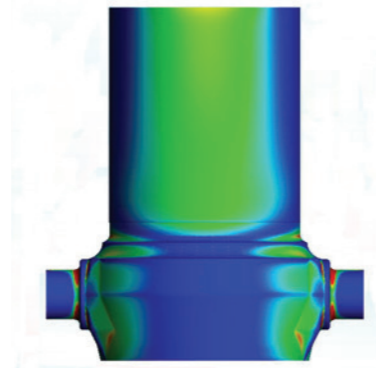


Engineering Expertise

Over 100 years of cylinder design experience combined with the latest finite element analysis techniques provide the lightweight “fit & forget” C Series range of tipping cylinder.

Edbro offers full application engineering support to all customers, ensuring the most appropriate product for each application and optimum safety in operation.



Unrivalled Quality

Extensive in-line quality control systems are employed throughout the manufacturing process to ensure a “fit & forget” cylinder is produced every time.

Every Edbro cylinder is subjected to a final production test at 150% or maximum pressures.

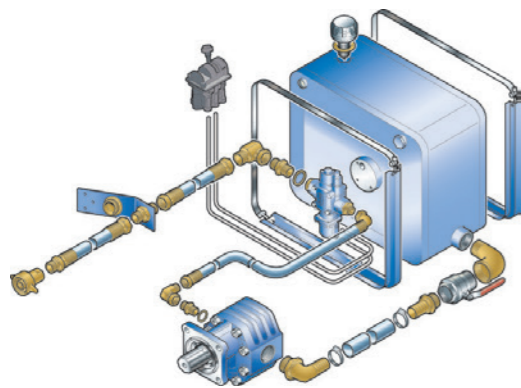
Extensive Range

CS cylinders offer up to 102 tonnes of tipping capacity.

Proven engineering expertise ensures a safe cylinder selection for your application.

For expert advice in selecting the right product for your application, contact the Edbro team.

Model Code	Lift capacity (t)	Maximum stroke capacity (mm)
CS07	7-11	3195
CS10	16-22	6209
CS11	17-39	8471
CS13	18-47	8441
CS15	22-57	10527
CS17	24-68	10483
CS18	35-60	10483
CS19	38-75	11545
CS22	73-102	11545



Edbro

C Series Telescopic Cylinders

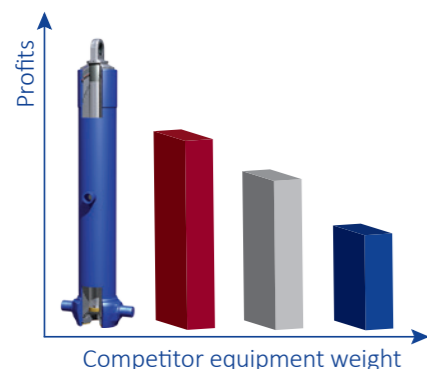


Edbro C Series has set new industry standards with unique features and unrivalled benefits



Lighter, Faster, Stronger

The C Series of cylinders is the lightest and most durable range of telescopic cylinders in the world, providing a true “fit and forget” solution to tipping applications.



Increased Payloads

The world’s lightest tipping cylinders providing increased payload and so increased operating profits.

Faster Tipping Speeds

One-piece tube construction and increased tube contact faces allow faster tipping speeds.

Increased Lift & Side Load Capacity

Advanced design and production engineering techniques, including laser welding, provide increased lift capacity and side load resistance.



Winning technology

Edbro invests heavily in research and development to make sure that the C Series cylinders evolve to meet the ever changing needs of the customers. Thanks to advanced manufacturing techniques and high quality materials these tipping cylinders are proven to increase payload, offer faster tipping speeds and last longer.

Double lip wiper seal ensures efficient lubrication of each tube and prevents contamination of the cylinder.

Unique 5 point sealing system reduce friction for years of smooth, trouble-free operation.

Wear rings made from non-metallic, acetal material provide low friction and long service life.

One-piece tubes with large stop contact faces provide optimum durability for long life and reduced maintenance.

1. Laser welded tube assembly increases strength and fatigue life.
2. Brass slider reduces risk of scoring and damage due to side load.
3. Unique clip and seal arrangement provides long life and ensures easy servicing.

