

# **Edbro**

SETTING THE INDUSTRY STANDARD

## **TH23 POWER HOOK**

### **Spare Parts Manual**



For spares and service support & the latest service network listings refer to [www.edbro.com](http://www.edbro.com)

*Spares Tel:* +44 (0) 120 4902319

*Service Tel:* +44 (0) 120 4902263

*Spares fax:* +44 (0) 120 4393561

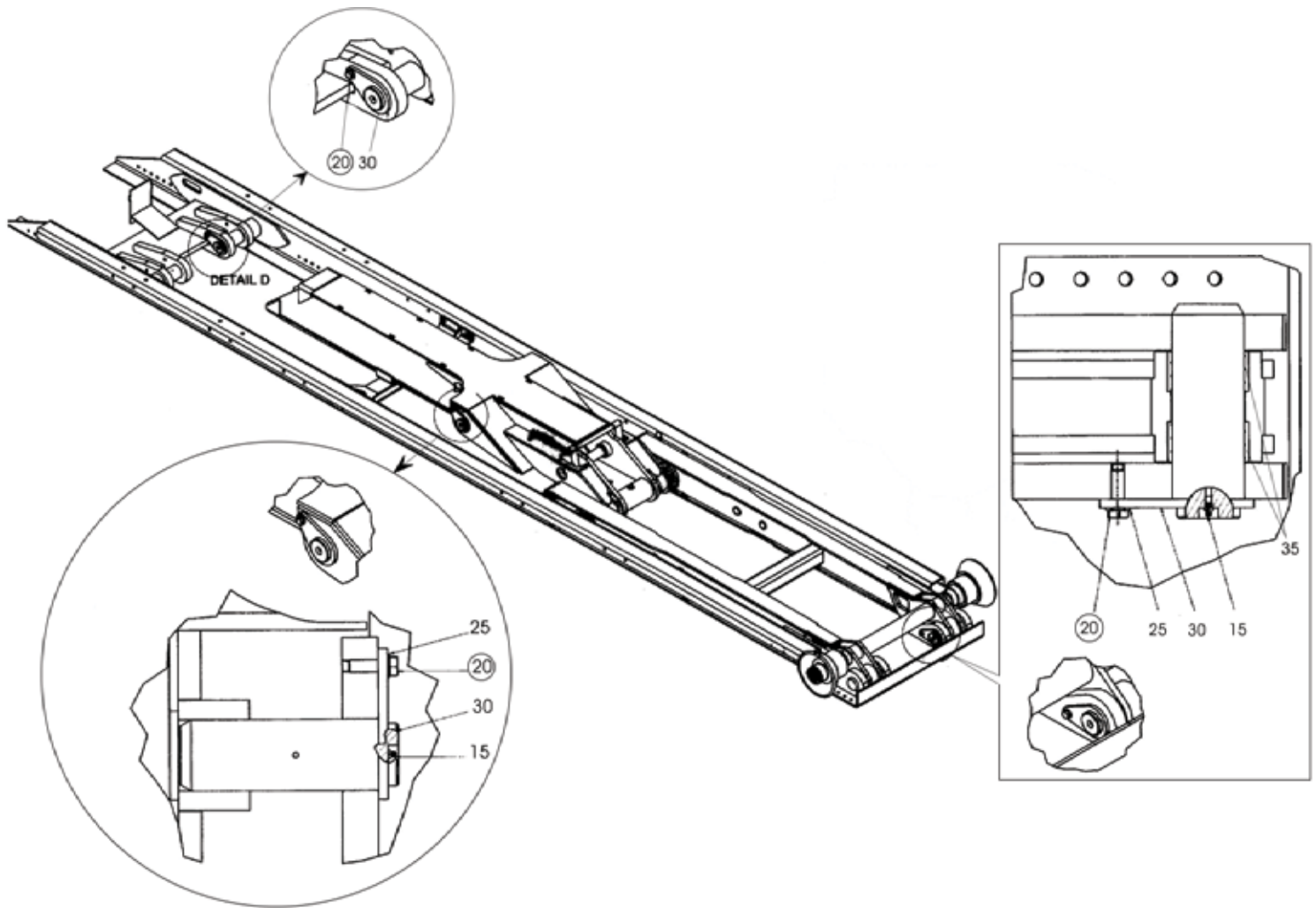
*E-mail:* [sales@edbro.com](mailto:sales@edbro.com)

# CONTENTS

| Category   | Description                  | Part Number | Page |
|------------|------------------------------|-------------|------|
| MECHANICAL | Mounting pivots              | M104549H    | 2    |
|            | Rear roller assembly         | M104560G    | 3    |
|            | Arm tilting rob pivots       | M104568C    | 4    |
|            | Telescopic jib pivots        | M104565Z    | 5    |
|            | Arm tilting frame            | M104624U    | 6    |
|            | Side locking device          | M106707A    | 7    |
|            | CHEM centring pad            | M103849D    | 8    |
|            | CHEM hook set                | M106630G    | 9    |
| HYDRAULIC  | Blocking suspension cylinder | M070008K    | 10   |
|            | Arm cylinder                 | M102764E    | 11   |
|            | Jib cylinder                 | M102984L    | 12   |
|            | Right cylinder set           | M103914N    | 13   |
|            | Right rod end                | M103030X    | 13   |
|            | Left cylinder set            | M103913M    | 14   |
|            | Left rod end                 | M103029S    | 14   |
|            | Load retaining valve         | M071680A    | 15   |
|            | Hydraulic valve              | M104367A    | 16   |
|            | Pneumatic control box        | M436407Q    | 17   |
|            | Suspension locking           | M085375S    | 18   |
|            | Hose set                     | M107715S    | 19   |
| ELECTRICAL | Electrical system            | M103281U    | 20   |
|            | Electrical control box       | M103283W    | 21   |
|            | Jib motion position sensor   | M104330H    | 22   |

# MOUNTING PIVOTS

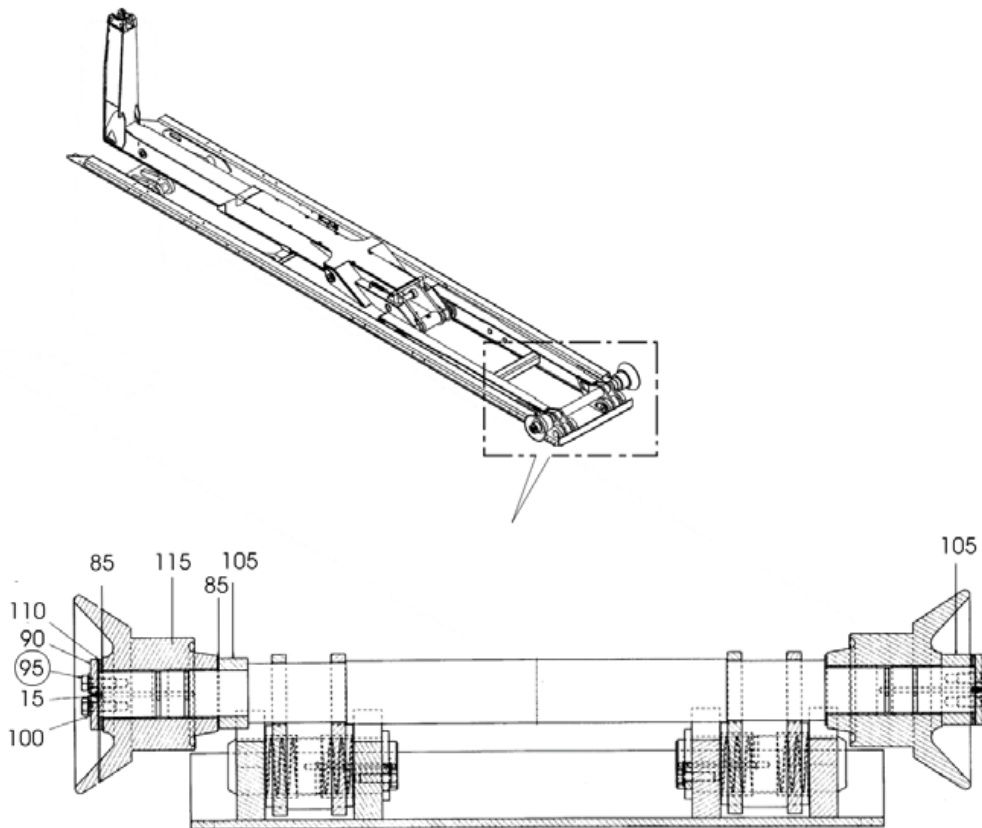
## PART NUMBER: M104549H



| Item | Part Number | Description    | Qty |
|------|-------------|----------------|-----|
| 15   | M004045S    | Grease fitting | 4   |
| 20   | M003061Z    | Screw          | 6 * |
| 25   | M034179S    | Lock washer    | 4   |
| 30   | M102070E    | Shaft          | 6   |
| 35   | M102715V    | Bronze bush    | 4   |

\* Item 20 - tightening torque: 121 Nm

# REAR ROLLER ASSEMBLY PART NUMBER: M104560G



| Item | Part Number | Description     | Qty  |
|------|-------------|-----------------|------|
| 15   | M004045S    | Grease fitting  | 2    |
| 85   | M002114J    | Lock washer     | 4    |
| 90   | M002136Q    | Lock washer     | 2    |
| 95   | M003059F    | Screw           | 8 *  |
| 100  | M032306Y    | Washer          | 8    |
| 105  | M102332V    | Bush            | 2    |
| 110  | M006820W    | Lock washer     | 2    |
| 115  | M051942Y    | Roller assembly | 2 ** |

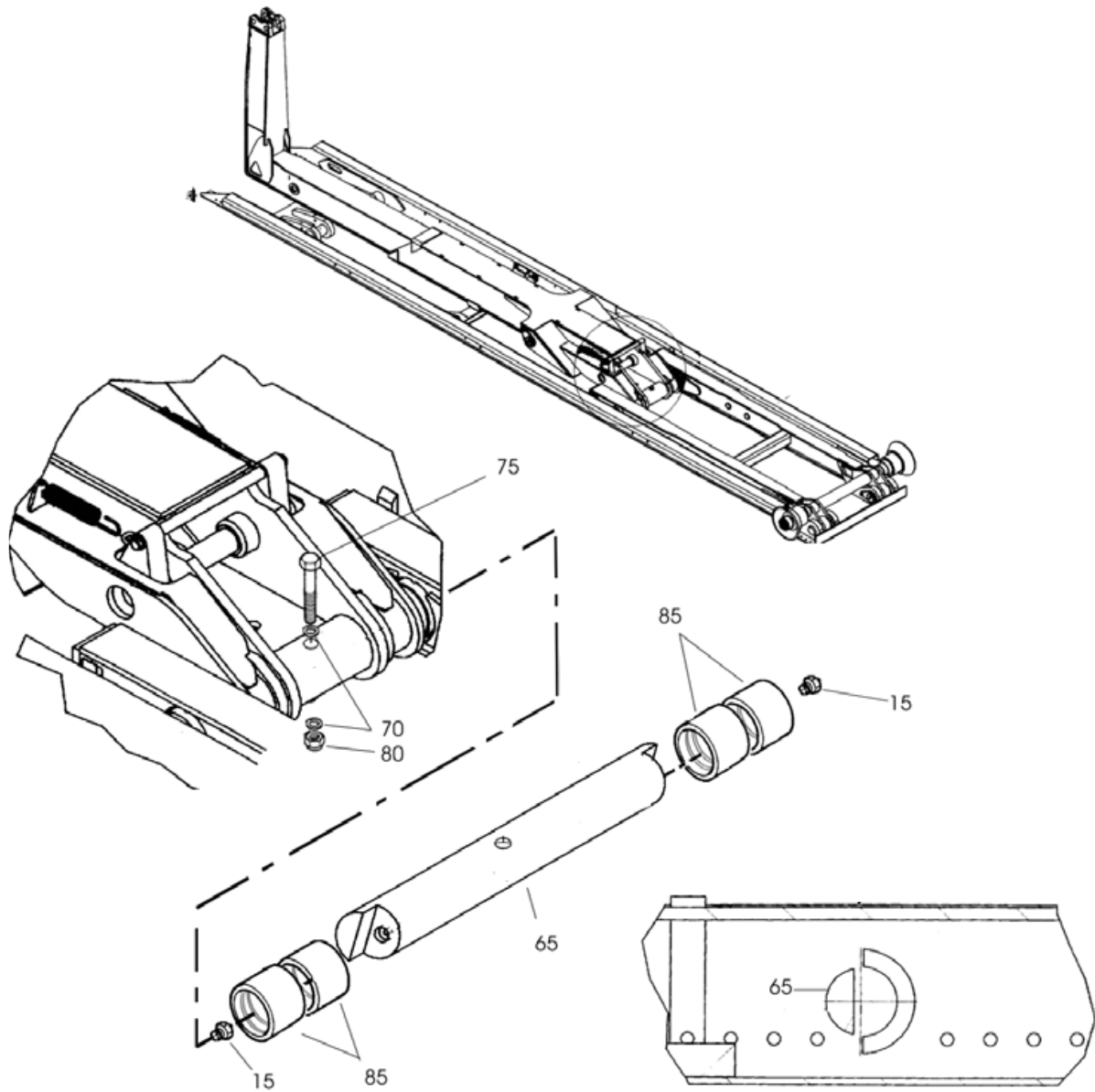
\* Item 95 - tightening torque: 121 Nm

\*\* M051942Y includes:

|  |          |        |   |
|--|----------|--------|---|
|  | M051941X | Roller | 1 |
|  | M051849B | Bush   | 2 |

# ARM TILTING ROD PIVOTS

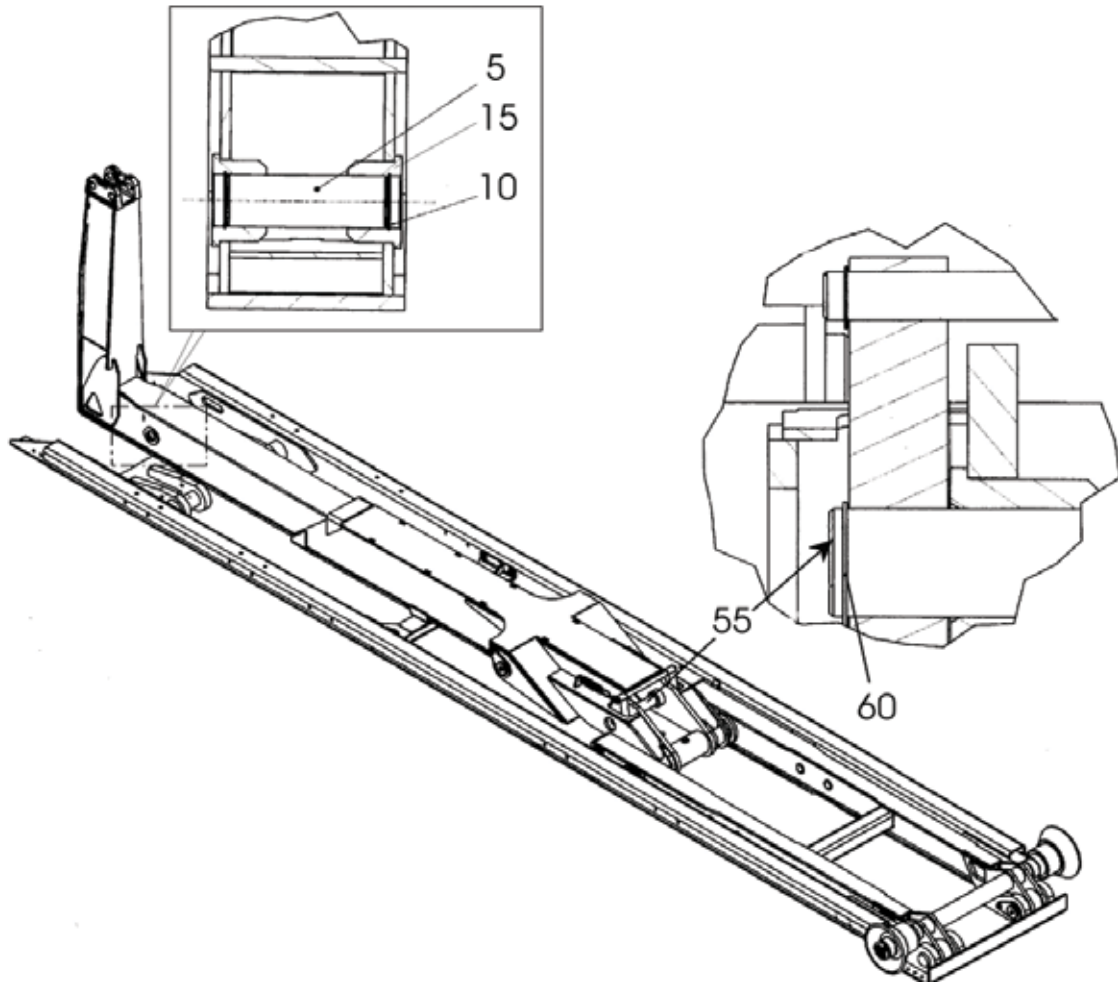
## PART NUMBER: M104568C



| Item | Part Number | Description    | Qty |
|------|-------------|----------------|-----|
| 15   | M004045S    | Grease fitting | 2   |
| 65   | M102073V    | Shaft          | 1   |
| 70   | M041230G    | Lock washer    | 2   |
| 75   | M098948E    | Screw          | 1   |
| 80   | M038393V    | Nut            | 1   |
| 85   | M102715V    | Bronze bush    | 4   |

# TELESCOPIC JIB PIVOTS

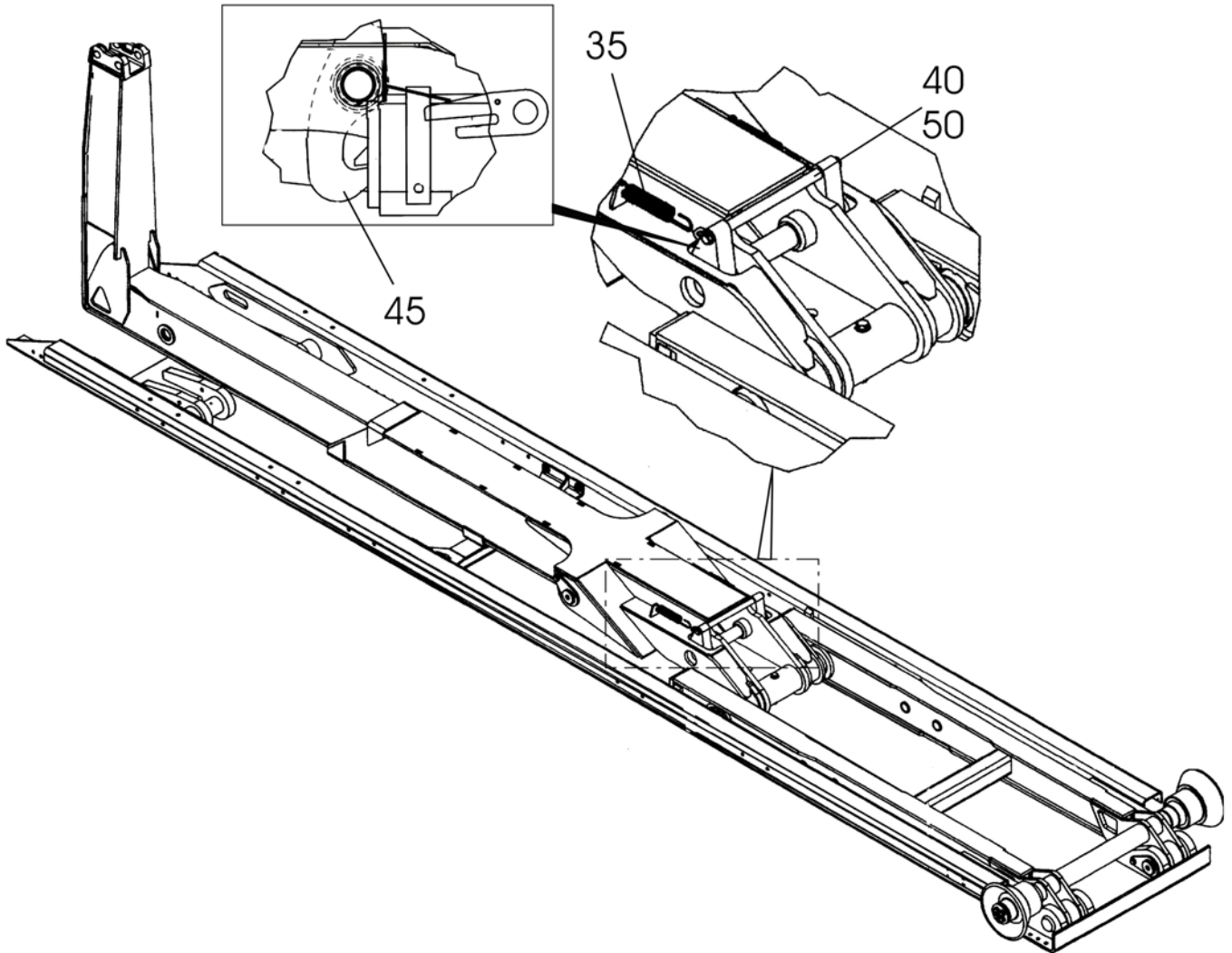
## PART NUMBER: M10456Z



| Item | Part Number | Description       | Qty |
|------|-------------|-------------------|-----|
| 5    | M102121J    | Shaft             | 1   |
| 10   | M102163U    | Internal circlips | 2   |
| 15   | M102118X    | Bush              | 2   |
| 55   | M102119Y    | Shaft             | 1   |
| 60   | M102162T    | External circlips | 2   |

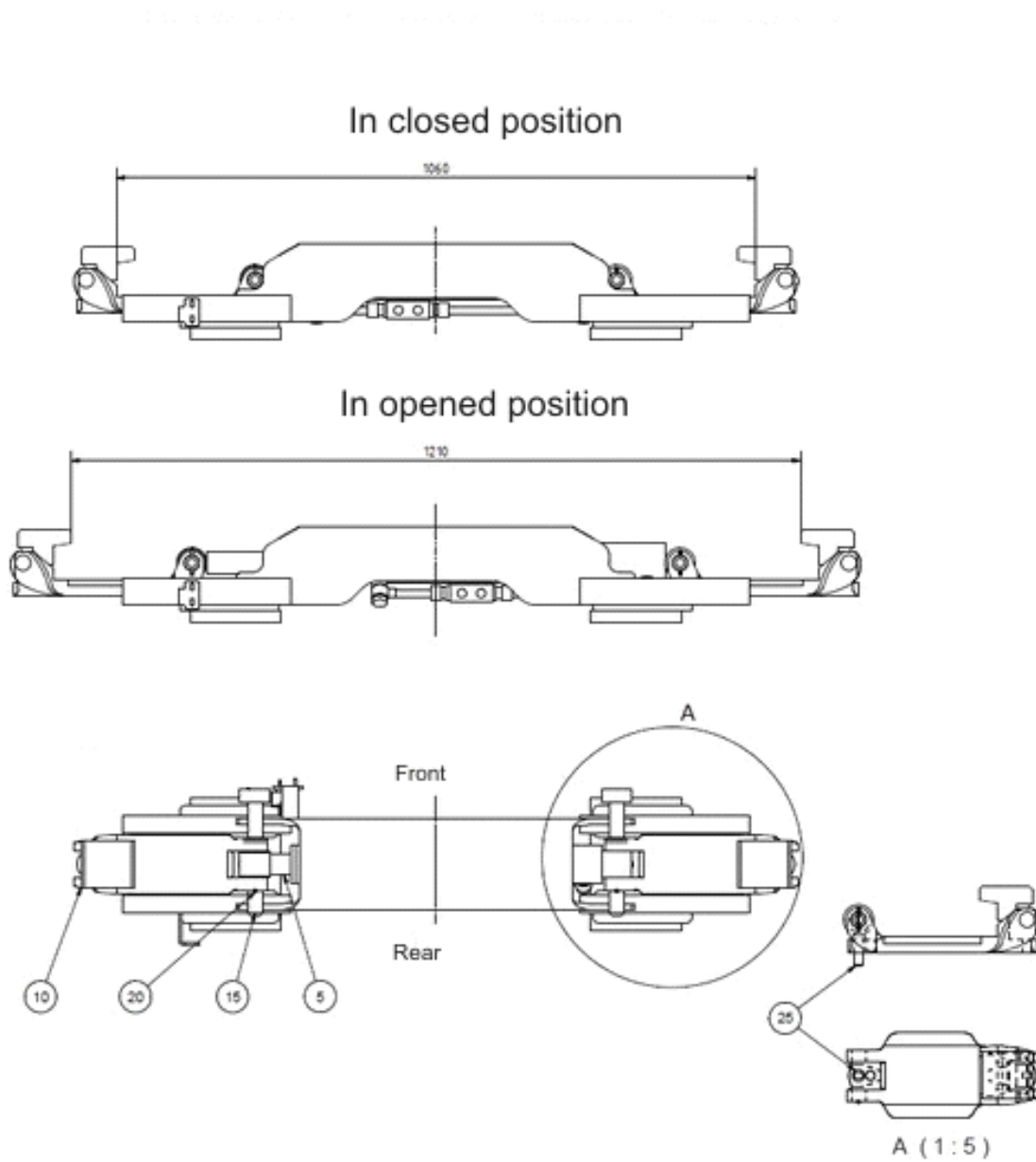
# ARM TILTING FRAME

## PART NUMBER: M104624U



| Item | Part Number | Description                       | Qty |
|------|-------------|-----------------------------------|-----|
| 35   | M012135G    | Spring                            | 2   |
| 40   | M102075X    | Shaft                             | 1   |
| 45   | M102076Y    | Tilt frame hook locking mechanism | 2   |
| 50   | M013427E    | External circlips                 | 2   |

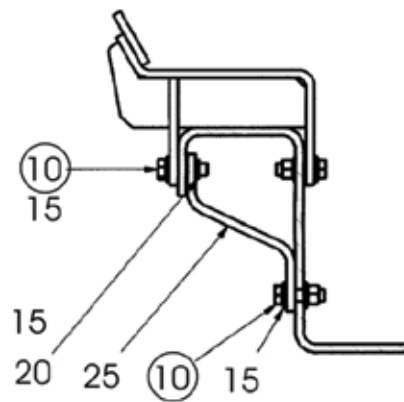
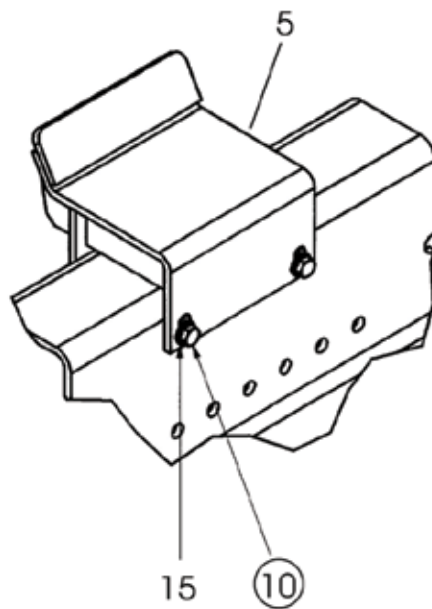
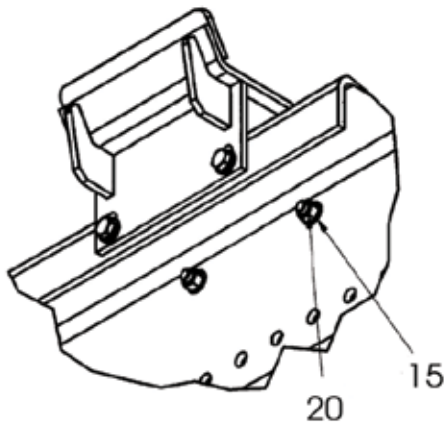
# SIDE LOCKING DEVICE PART NUMBER: M106707A



| Item | Part Number | Description | Qty |
|------|-------------|-------------|-----|
| 5    | M103927K    | Cylinder    | 1   |
| 10   | M106686V    | Hook        | 2   |
| 15   | M085192C    | Shaft       | 2   |
| 20   | M004265B    | Split pin   | 2   |
| 25   | M103009F    | Shaft       | 2   |

# CHEM CENTRING PAD

## PART NUMBER: M103849D

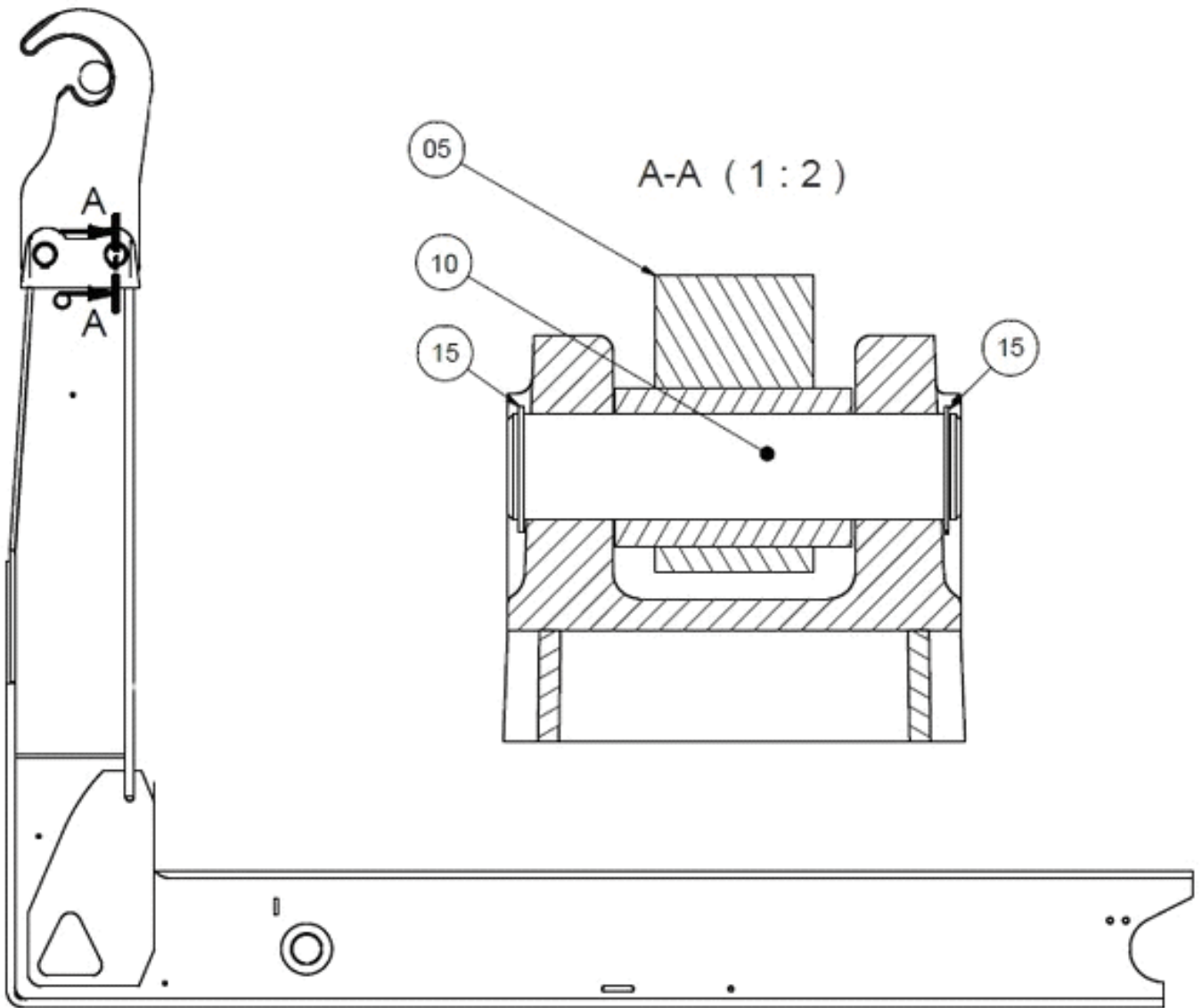


| Item | Part Number | Description       | Qty |
|------|-------------|-------------------|-----|
| 5    | M106678L    | CHEM centring pad | 4   |
| 10   | M034181D    | Screw             | 18  |
| 15   | M473247B    | Washer            | 36  |
| 20   | M041445U    | Nut               | 18  |
| 25   | M103536K    | Plate             | 2   |

\* Item 10 - tightening torque: 76 Nm

# CHEM HOOK SET

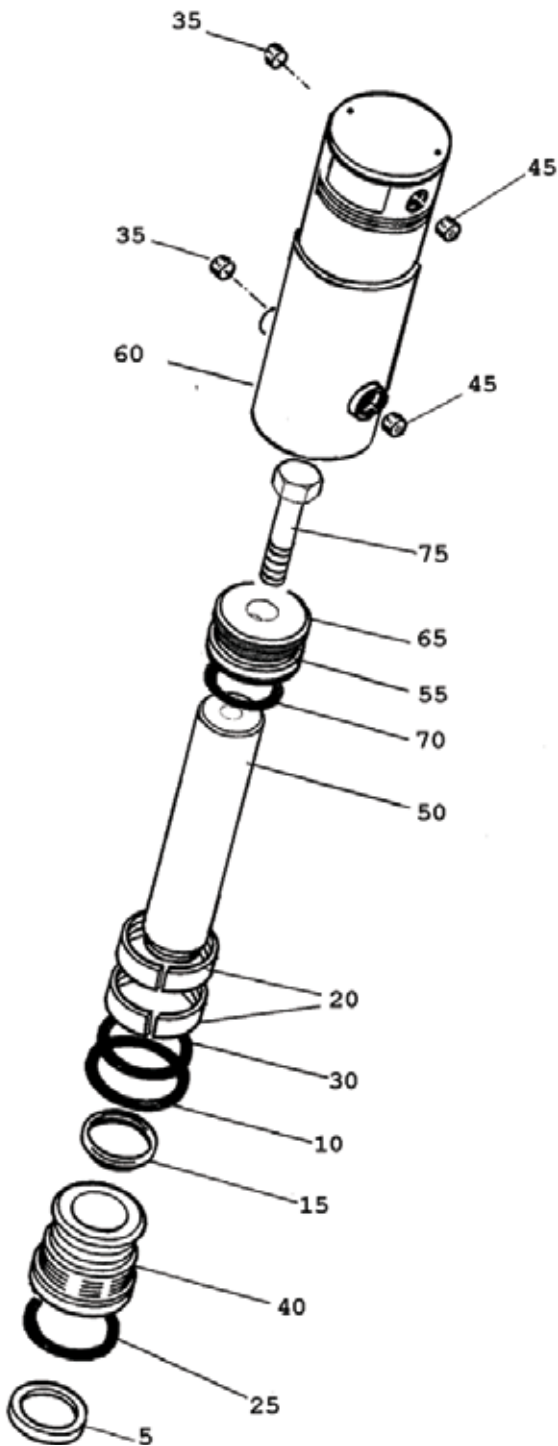
## PART NUMBER: M106630G



| Item | Part Number | Description       | Qty |
|------|-------------|-------------------|-----|
| 5    | M106629B    | Hook              | 1   |
| 10   | M082943R    | Shaft             | 2   |
| 15   | M014604Z    | External circlips | 4   |

# BLOCKING SUSPENSION CYLINDER

## PART NUMBER: M070008K



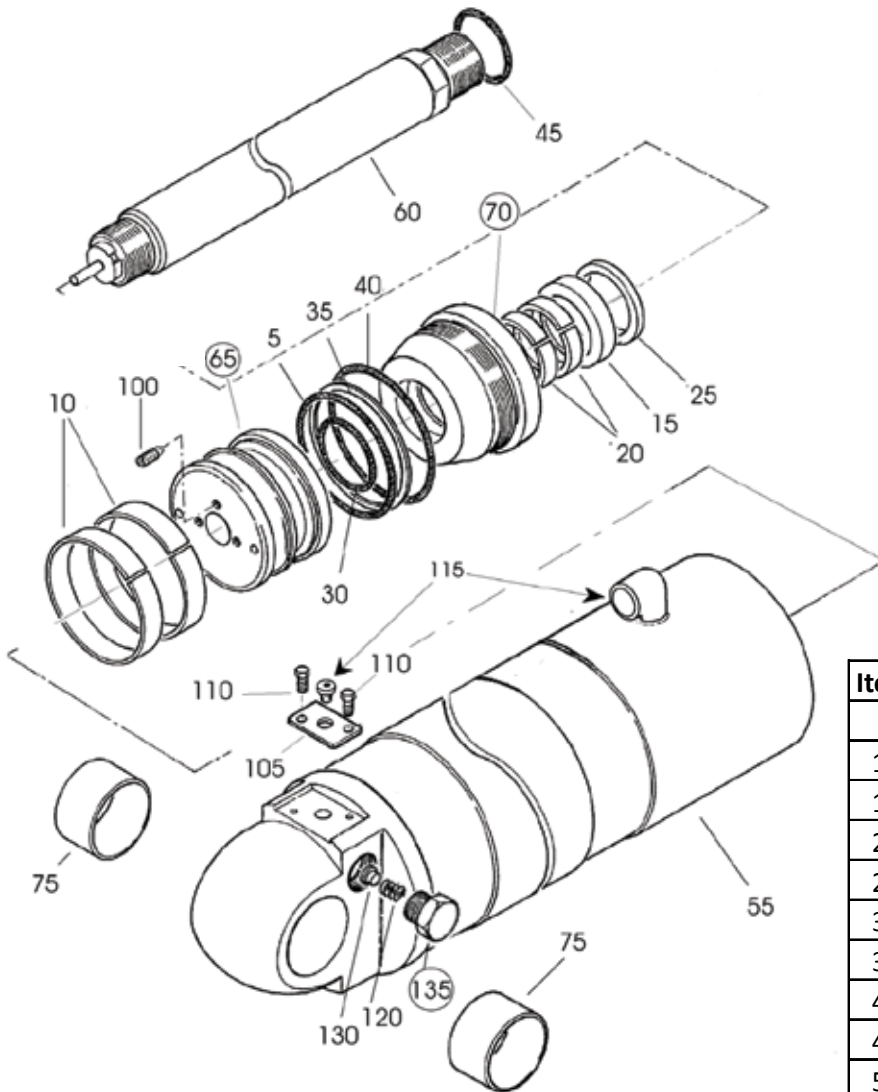
| Item | Part Number | Description  | Qty |
|------|-------------|--------------|-----|
| 5    | *           | Wiper seal   | 1   |
| 10   | *           | O-ring       | 1   |
| 15   | *           | Seal         | 1   |
| 20   | *           | Guide ring   | 2   |
| 25   | *           | Back-up ring | 1   |
| 30   | *           | O-ring       | 1   |
| 35   | M037736K    | Plug         | 2   |
| 40   | M050511T    | Head         | 1   |
| 45   | M473245H    | Plug         | 2   |
| 50   | M069988H    | Rod          | 1   |
| 55   | *           | Seal         | 1   |
| 60   | M056933L    | Cylinder     | 1   |
| 65   | M069989A    | Piston       | 1   |
| 70   | *           | O-ring       | 1   |
| 75   | M030742W    | Screw        | 1   |

\* Items 5, 10, 15, 20, 25, 30, 55 & 70 contained within:

|  |          |          |   |
|--|----------|----------|---|
|  | M074105Z | Seal kit | 1 |
|--|----------|----------|---|

# ARM CYLINDER

## PART NUMBER: M102764E



| Item | Part Number | Description | Qty |
|------|-------------|-------------|-----|
| 5    | *           | Seal        | 1   |
| 10   | *           | Guide ring  | 2   |
| 15   | *           | Seal        | 1   |
| 20   | *           | Guide ring  | 2   |
| 25   | *           | Wiper seal  | 1   |
| 30   | *           | O-ring      | 1   |
| 35   | *           | Seal        | 1   |
| 40   | *           | O-ring      | 1   |
| 45   | *           | Seal        | 1   |
| 55   | M102765F    | Cylinder    | 1   |
| 60   | M102768J    | Rod         | 1   |
| 65   | M102769K    | Piston      | 1   |
| 70   | M102770Q    | Head        | 1   |
| 75   | M102715V    | Bronze bush | 2   |
| 100  | M104424L    | Screw       | 1   |
| 105  | M102729B    | Plate       | 1   |
| 110  | M002386T    | Screw       | 2   |
| 115  | M473244G    | Plug        | 2   |
| 120  | M097671X    | Spring      | 1   |
| 130  | M097664Y    | Valve       | 1   |
| 135  | M097672Y    | Plug        | 1   |

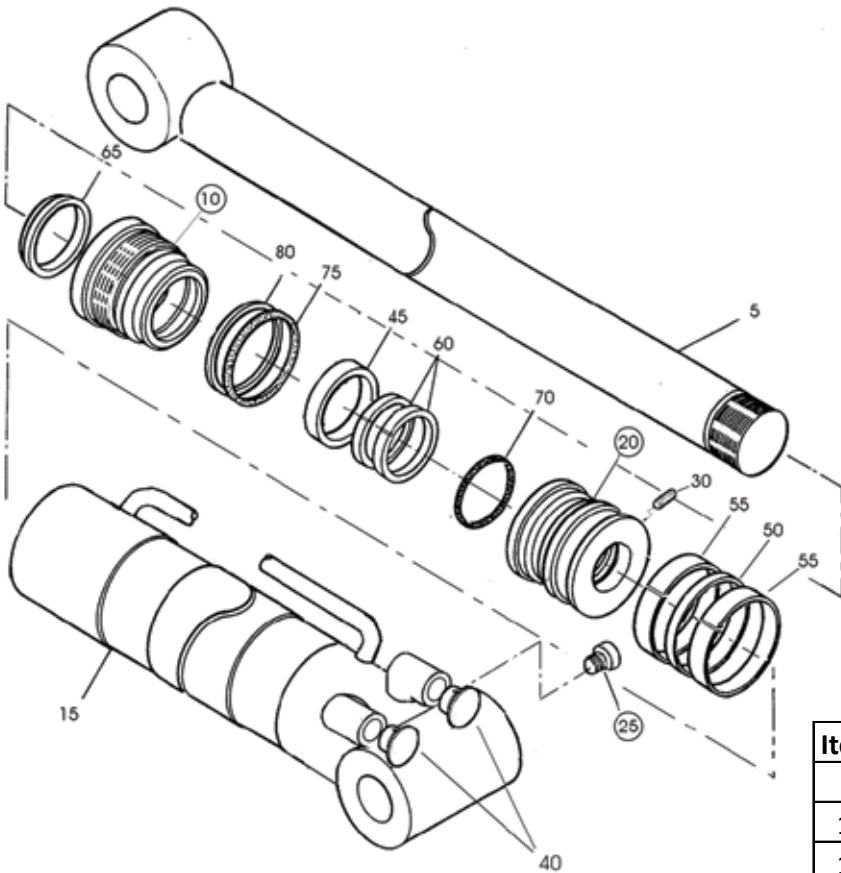
\* Items 5, 10, 15, 20, 25, 30, 35, 40 & 45 contained within:

|  |          |          |   |
|--|----------|----------|---|
|  | M102772E | Seal kit | 1 |
|--|----------|----------|---|

\*\* Item 70 - tightening torque: 300 Nm  
Item 135 - tightening torque: 70 Nm

# JIB CYLINDER

## PART NUMBER: M102984L



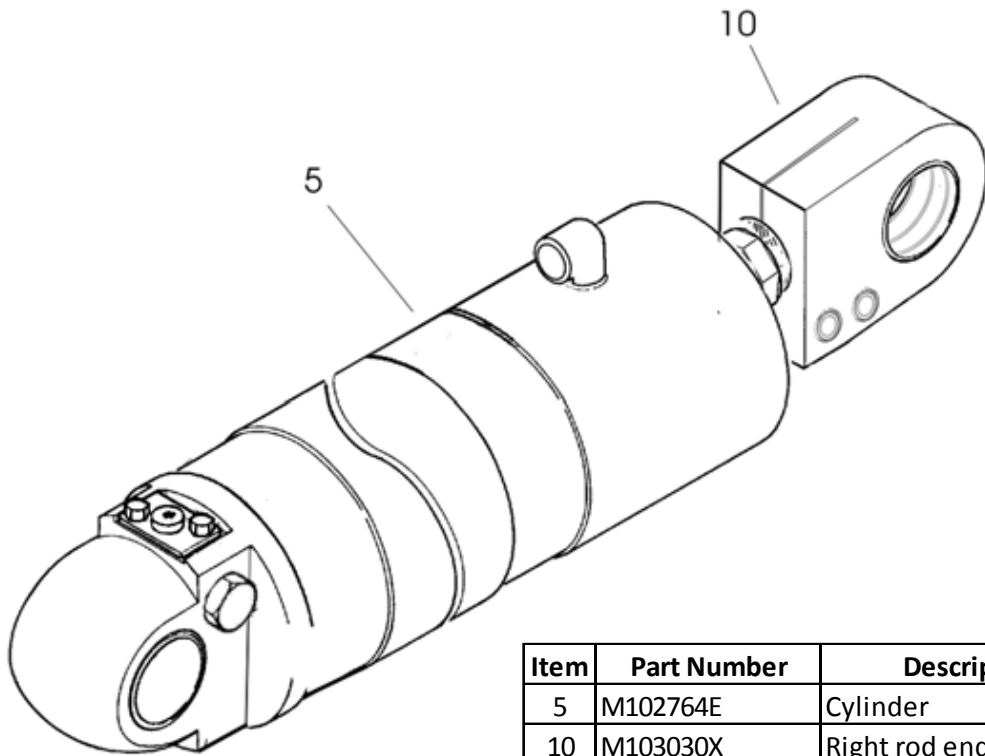
| Item | Part Number | Description | Qty |
|------|-------------|-------------|-----|
| 5    | M102988Y    | Rod         | 1   |
| 10   | M102934R    | Head        | 1   |
| 15   | M102985M    | Cylinder    | 1   |
| 20   | M102933Q    | Piston      | 1   |
| 25   | M055946Y    | Valve       | 1   |
| 30   | M004489V    | Screw       | 1   |
| 40   | M473244G    | Plug        | 1   |
| 45   | *           | Seal        | 1   |
| 50   | *           | Seal        | 1   |
| 55   | *           | Guide ring  | 2   |
| 60   | *           | Guide ring  | 2   |
| 65   | *           | Wiper seal  | 1   |
| 70   | *           | O-ring      | 1   |
| 80   | *           | O-ring      | 1   |
| 85   | *           | Seal        | 1   |

\* Items 45, 50, 55, 60, 65, 70, 80 & 85  
contained within:

|  |          |          |   |
|--|----------|----------|---|
|  | M102920X | Seal kit | 1 |
|--|----------|----------|---|

\*\* Item 10 - tightening torque: 350 Nm  
Item 20 - tightening torque: 500 ±50 Nm  
Item 25 - tightening torque: 60 Nm

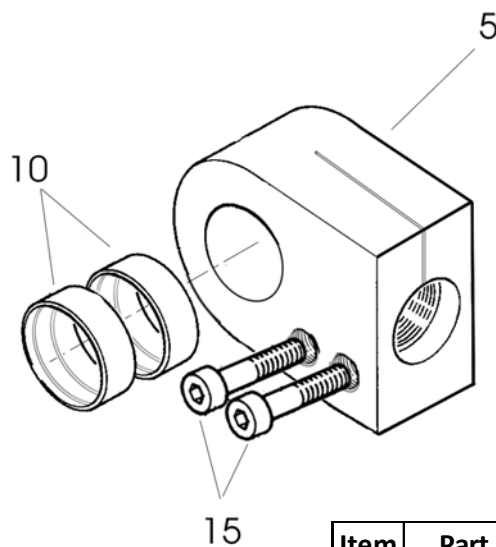
## RIGHT CYLINDER SET PART NUMBER: M103914N



| Item | Part Number | Description            | Qty |
|------|-------------|------------------------|-----|
| 5    | M102764E    | Cylinder               | 1   |
| 10   | M103030X    | Right rod end assembly | 1 * |

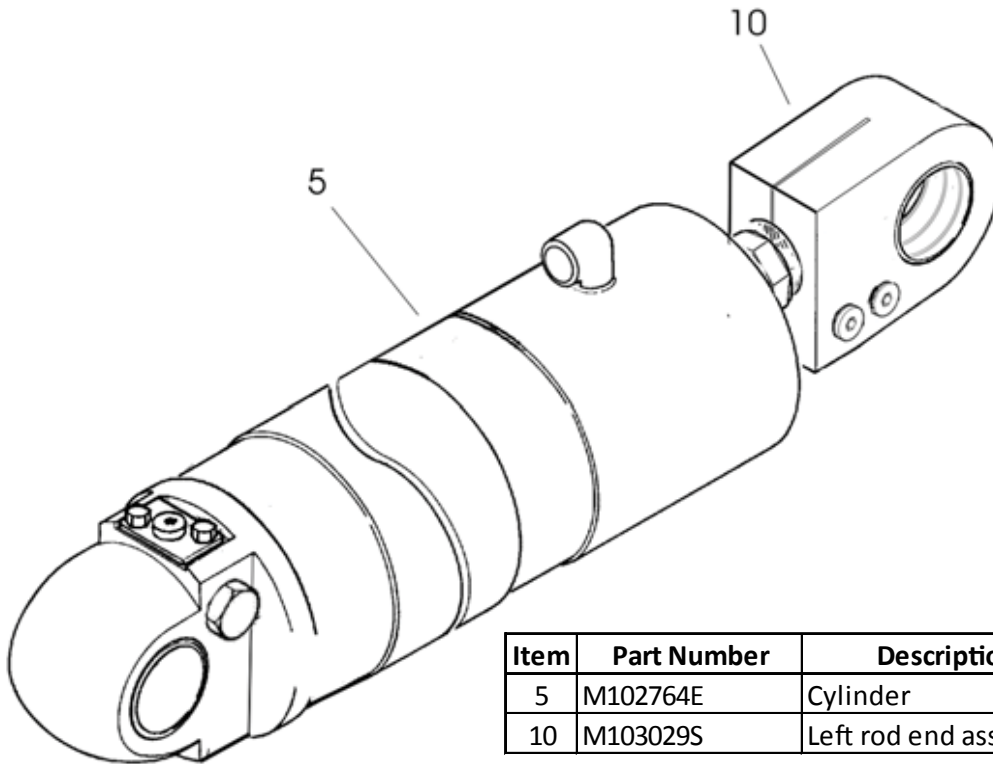
\* For parts breakdown see below

## RIGHT ROD END ASSEMBLY PART NUMBER: M103030X



| Item | Part Number | Description   | Qty |
|------|-------------|---------------|-----|
| 5    | M103028Z    | Right rod end | 1   |
| 10   | M102715V    | Bronze bush   | 2   |
| 15   | M444986L    | Screw         | 2   |

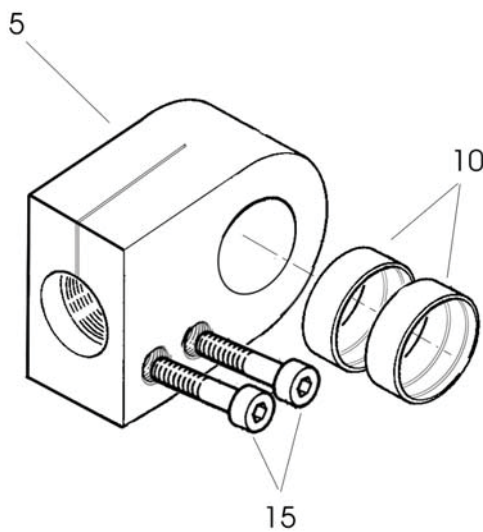
## LEFT CYLINDER SET PART NUMBER: M103913M



| Item | Part Number | Description           | Qty |
|------|-------------|-----------------------|-----|
| 5    | M102764E    | Cylinder              | 1   |
| 10   | M103029S    | Left rod end assembly | 1 * |

\* For parts breakdown see below

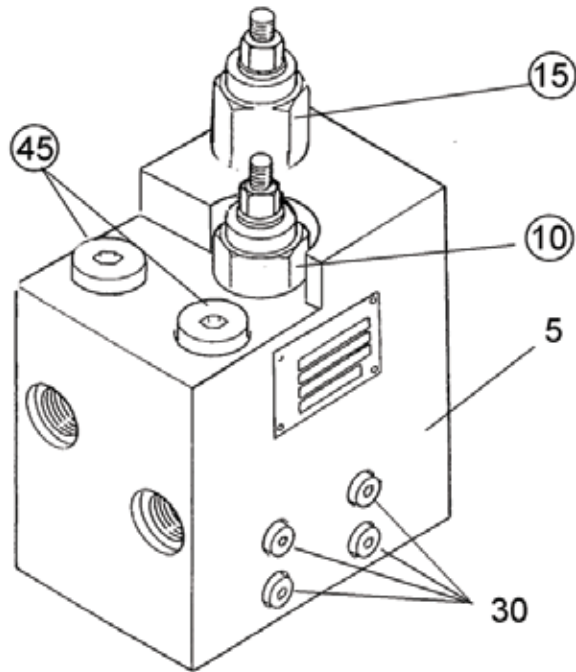
## LEFT ROD END ASSEMBLY PART NUMBER: M103029S



| Item | Part Number | Description  | Qty |
|------|-------------|--------------|-----|
| 5    | M102771D    | Left rod end | 1   |
| 10   | M102715V    | Bronze bush  | 2   |
| 15   | M444986L    | Screw        | 2   |

# LOAD RETAINING VALVE

## PART NUMBER: M071680A



| Item | Part Number | Description | Qty  |
|------|-------------|-------------|------|
| 5    | M071664D    | Body        | 1    |
| 10   | M055145V    | Cartridge   | 1 ** |
| 15   | M071679L    | Cartridge   | 1 ** |
| 30   | M055664D    | Screw       | 4    |
| 35   | M025197C    | Seal        | 1 *  |
| 45   | M032716J    | Plug        | 2 ** |
| 65   | M477023J    | Oil jet     | 1 *  |

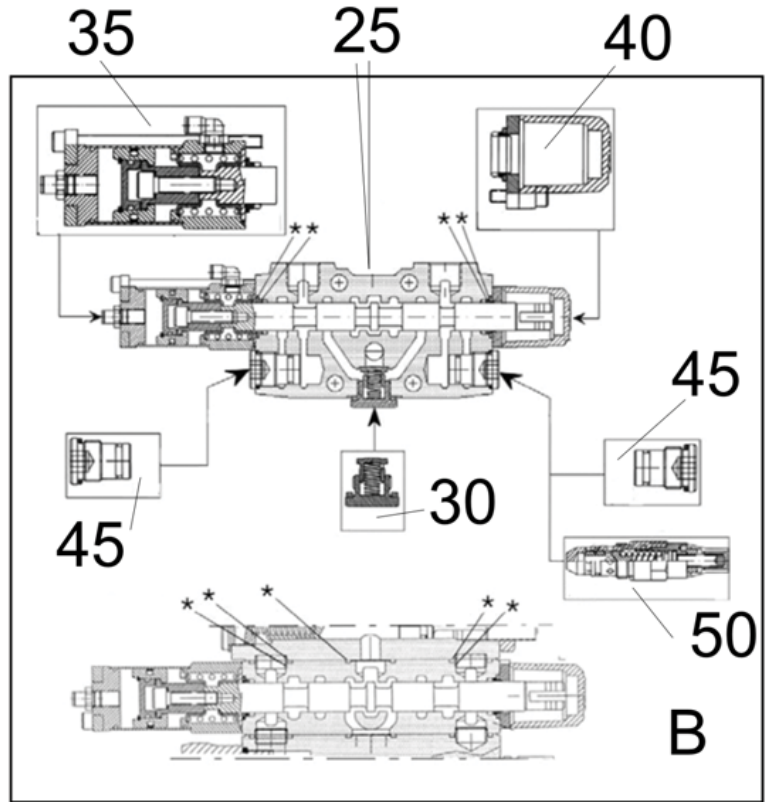
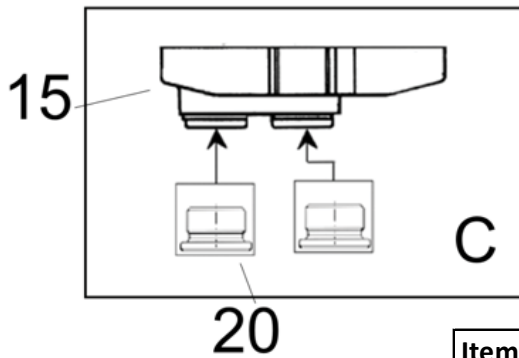
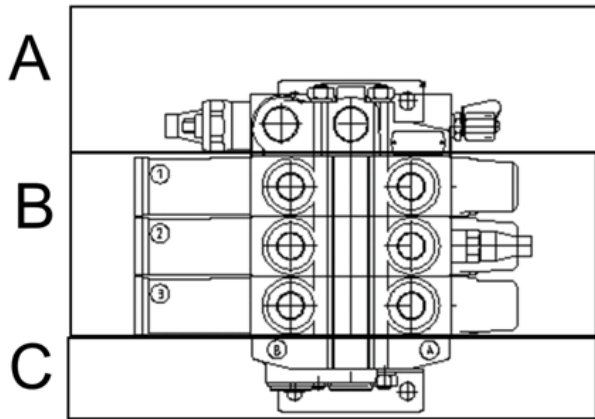
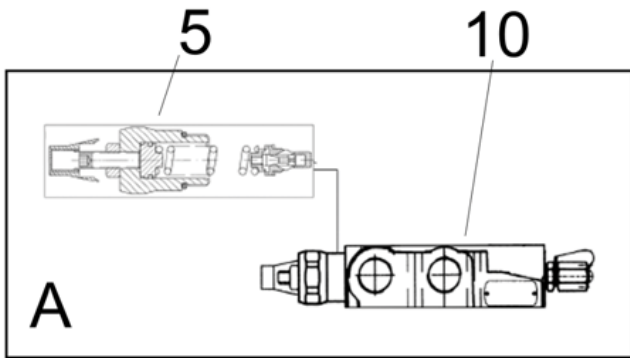
\* Not shown

\*\* Items 10 & 15 - tightening torque: 60 Nm  $\pm$ 5

Item 45 - tightening torque: 90 Nm  $\pm$ 9

# HYDRAULIC VALVE

## PART NUMBER: M104367A

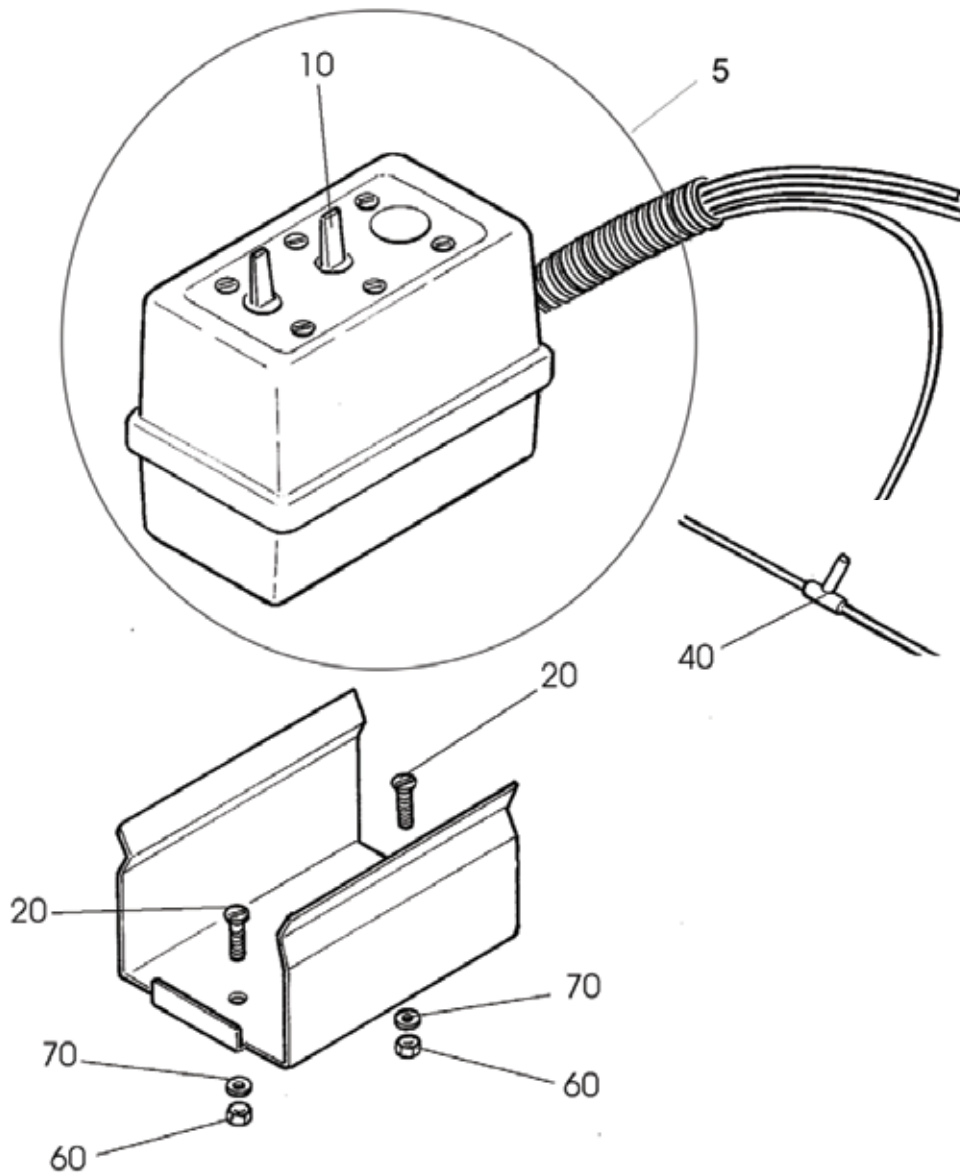


| Item | Part Number | Description                                | Qty |
|------|-------------|--|-----|
| 5    | M094538P    | Pressure limiter                           | 1   |
| 10   | M094537E    | Way-in pressure limiter                    | 1   |
| 15   | M094539Q    | Way-out plate                              | 1   |
| 20   | M094734K    | Plug                                       | 2   |
| 25   | M094730T    | Body distribution without pressure limiter | 3   |
| 30   | M094694L    | Check valve                                | 3   |
| 35   | M094711L    | Pneumatic control kit                      | 3   |
| 40   | M100032W    | Plug                                       | 3   |
| 45   | M094709B    | Plug                                       | 5   |
| 50   | M0901339    | BP limiter                                 | 1   |
|      | M094731Q    | Seal kit                                   | 1   |

\* Seal kit contains all items on drawing marked with \*

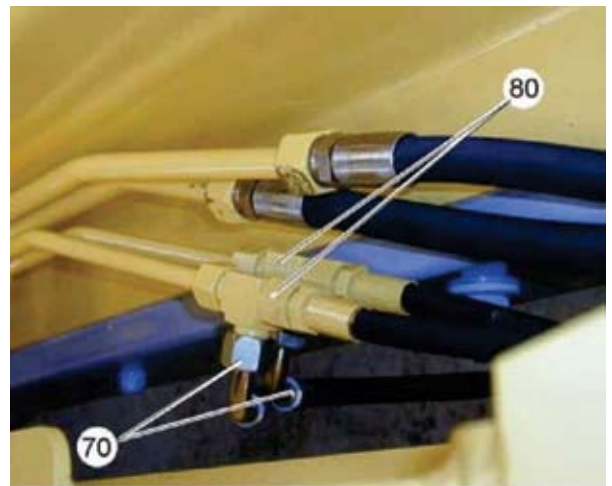
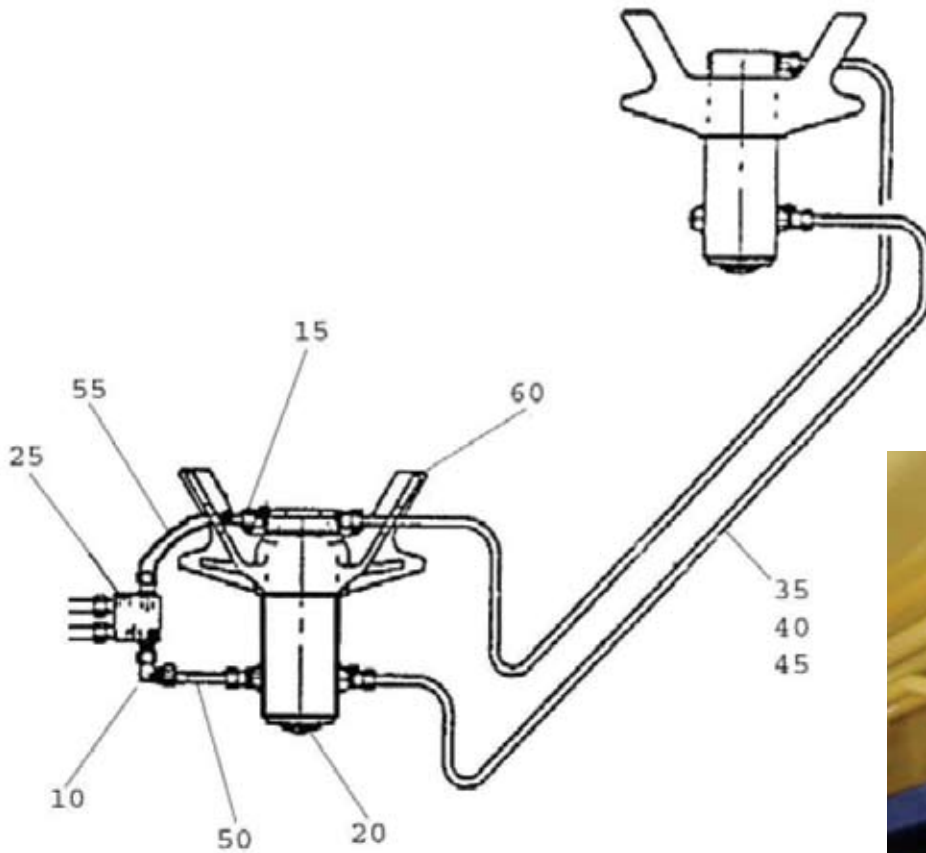
# PNEUMATIC CONTROL BOX

## PART NUMBER: M436407Q



| Item | Part Number | Description                     | Qty |
|------|-------------|---------------------------------|-----|
| 5    | M487623K    | Pneumatic control box assembly  | 1   |
| 10   | M037486A    | Black switch (automatic return) | 4   |
| 20   | M436398W    | Screw                           | 2   |
| 40   | M433907J    | Equal tee 4mm female            | 1   |
| 60   | M425043J    | Nut                             | 2   |
| 70   | M430596K    | Lock washer                     | 2   |

# SUSPENSION LOCKING PART NUMBER: M085375S

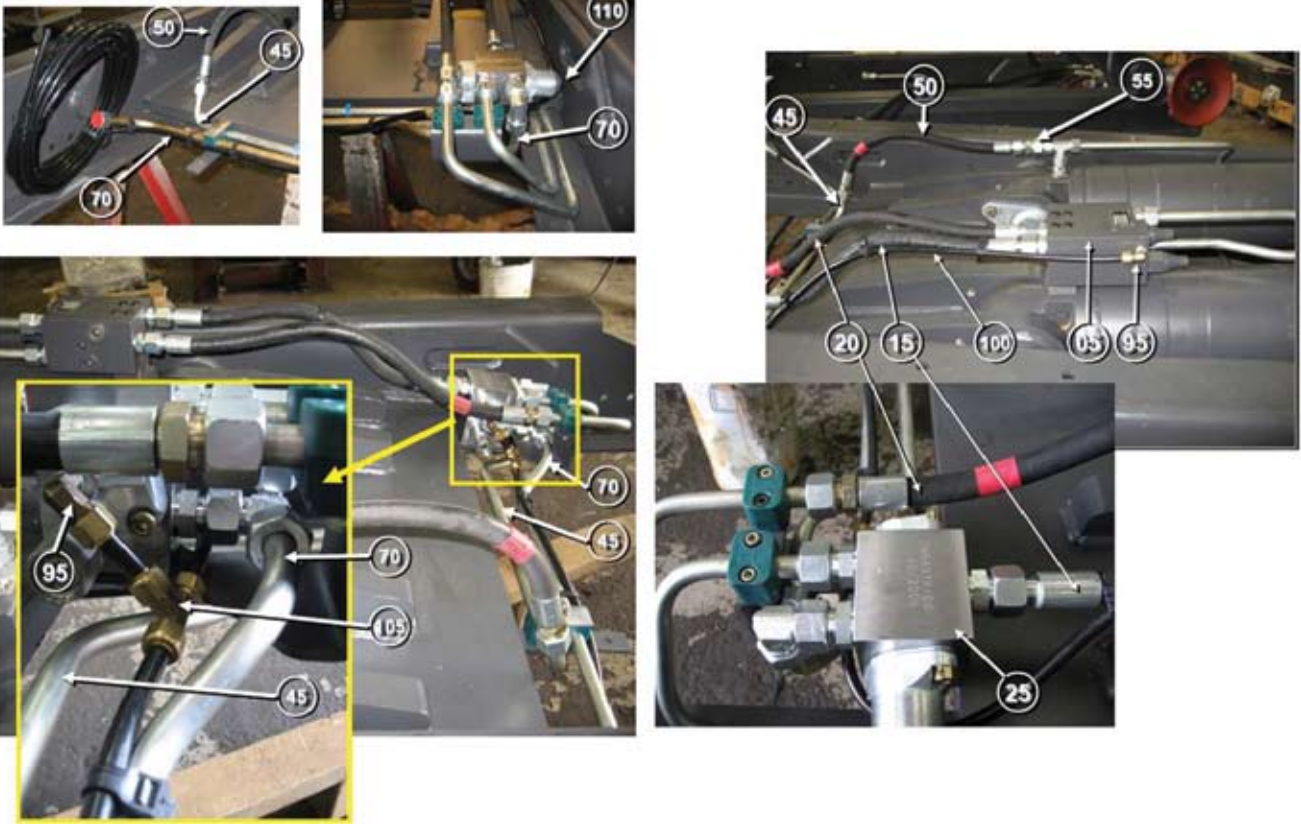


| Item | Part Number | Description            | Qty |
|------|-------------|------------------------|-----|
| 10   | M427680U    | Swivel elbow           | 1   |
| 15   | M4060691G   | Straight male union    | 8   |
| 20   | M070008K    | Cylinder               | 2   |
| 25   | M072392W    | Check valve            | 1   |
| 35   | M001838X    | Tube                   | 4   |
| 40   | M424603Y    | Sleeve                 | 4   |
| 45   | M460687C    | Nut                    | 4   |
| 50   | M088087R    | Equipped tube          | 1   |
| 55   | M080636X    | Equipped tube          | 1   |
| 70   | M084744T    | Hose with end fittings | 2   |
| 80   | M442440A    | Tee                    | 2   |

*\*\* For parts breakdown see page 10*

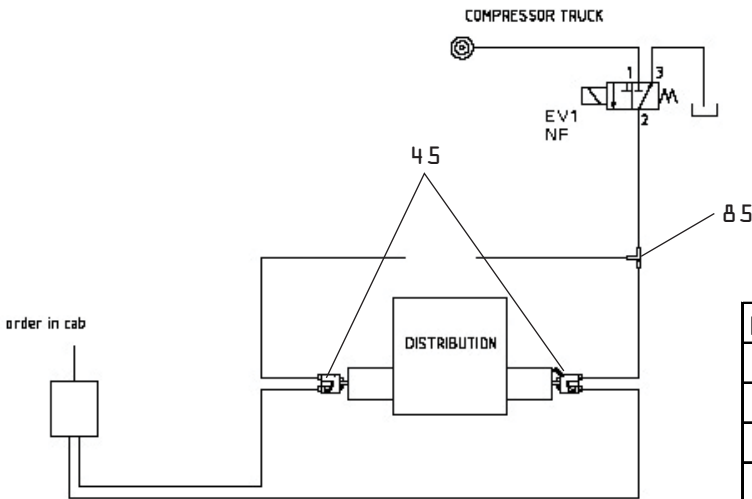
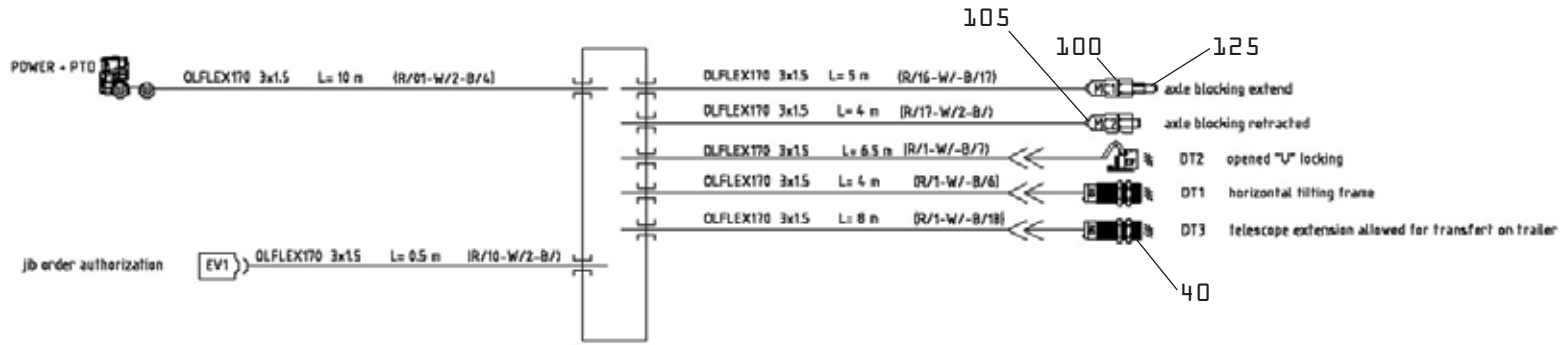
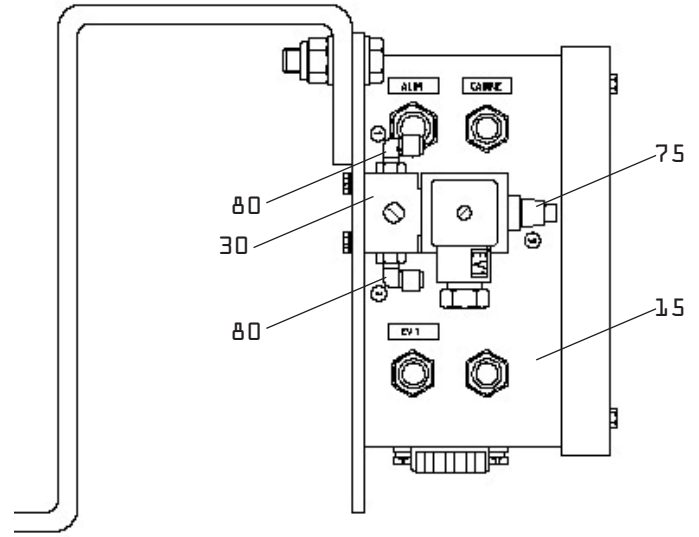
# HOSE SET

## PART NUMBER: M107715S



| Item | Part Number | Description            | Qty |
|------|-------------|------------------------|-----|
| 5    | M071680A    | Load retaining valve   | 1   |
| 15   | M465745E    | Hose with end fittings | 1   |
| 20   | M440942F    | Hose with end fittings | 1   |
| 25   | M086697P    | Valve                  | 1   |
| 45   | M104286S    | Equipped tube          | 1   |
| 50   | M473831M    | Hose with end fittings | 1   |
| 55   | M810659N    | Check valve            | 1   |
| 70   | M107710H    | Equipped tube          | 1   |
| 95   | M030859C    | Elbow                  | 2   |
| 105  | M032053M    | Tee                    | 1   |
| 110  | M462125N    | Elbow                  | 1   |

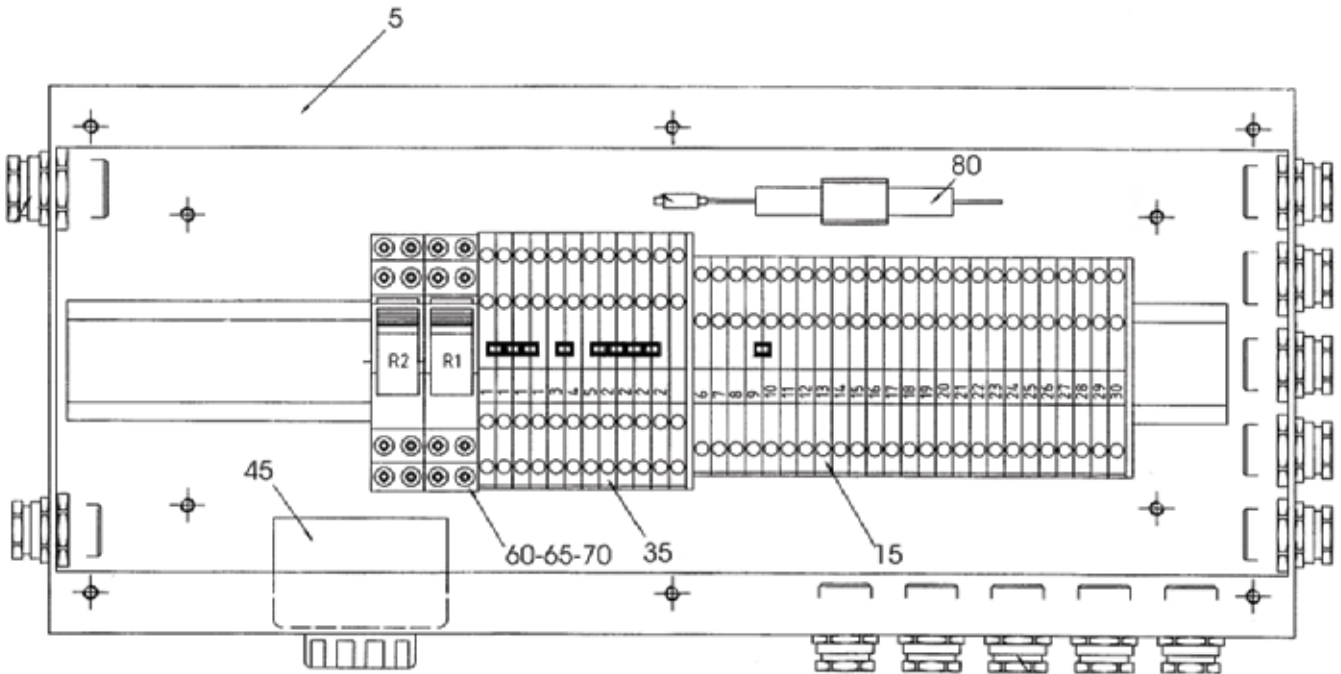
# ELECTRICAL SYSTEM PART NUMBER: M103281U



| Item | Part Number | Description            | Qty |
|------|-------------|------------------------|-----|
| 15   | M103283W    | Electrical control box | 1*  |
| 30   | M082161R    | Electropneumatic valve | 1   |
| 40   | M087954R    | Sensor                 | 1   |
| 45   | M090505X    | Fitting valve          | 2   |
| 75   | M485381P    | Exhaust box            | 1   |
| 80   | M074258R    | Elbow                  | 2   |
| 85   | M423464K    | Equal tee              | 1   |
| 100  | M447911K    | Pressure switch        | 1   |
| 105  | M455157X    | Pressure switch        | 1   |
| 125  | M458038E    | Union                  | 1   |

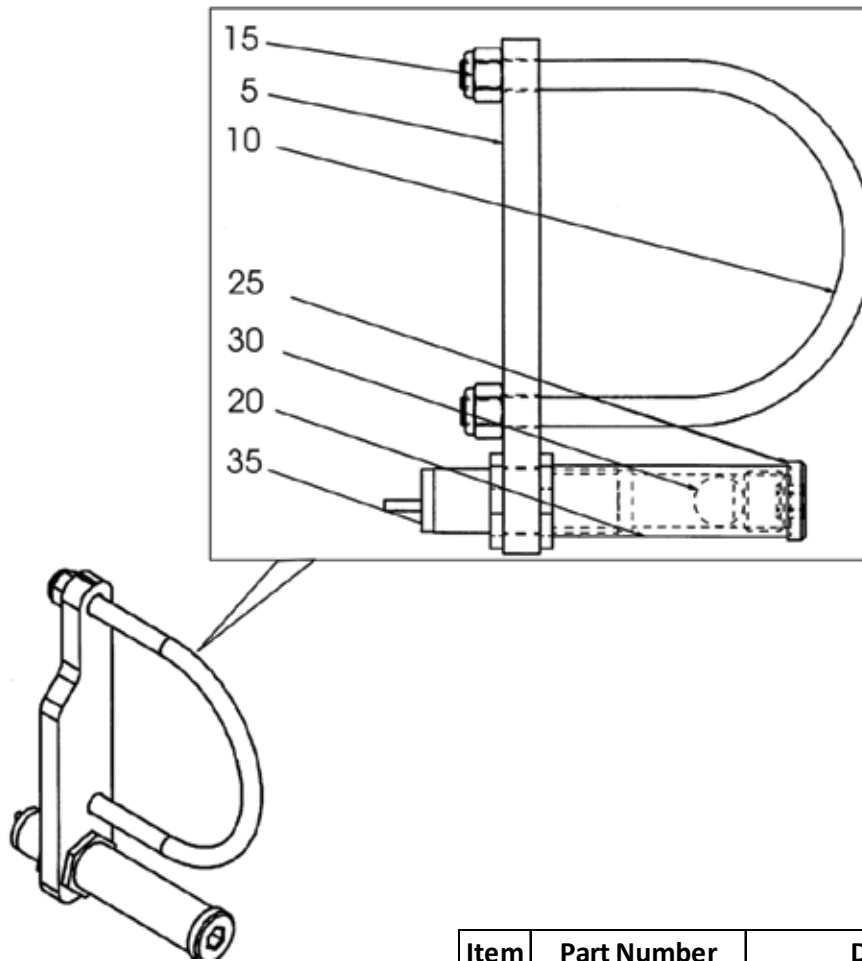
\* For parts breakdown see page 22

# ELECTRICAL CONTROL BOX PART NUMBER: M103283W



| Item | Part Number | Description     | Qty |
|------|-------------|-----------------|-----|
| 5    | M103667E    | Box             | 1   |
| 15   | M462176Z    | Terminal        | 25  |
| 35   | M456157Y    | Terminal        | 4   |
| 45   | M085894C    | Buzzer          | 1   |
| 60   | M492522B    | Base relay      | 2   |
| 65   | M498755H    | Clamp for relay | 2   |
| 70   | M498754H    | Relay           | 2   |
| 80   | M421793K    | Fuse            | 1   |

# JIB MOTION POSITION SENSOR PART NUMBER: M104330H



| Item | Part Number | Description | Qty |
|------|-------------|-------------|-----|
| 5    | M104328B    | Support     | 1   |
| 10   | M074623X    | Clamp       | 1   |
| 15   | M003708P    | Nut         | 2   |
| 20   | M104329C    | Tube        | 1   |
| 25   | M037736K    | Plug        | 1   |
| 30   | M006107Y    | Ball        | 1   |
| 35   | M102452W    | Detector    | 1   |